



## Series 99 Victorian Bike Rack

### GENERAL SPECIFICATIONS

**Metal:** The post is constructed of 3" (7.6 cm) square aluminum tubing, and the arms are cast aluminum. The metal is powder coated with polyester, electrostatically applied, and baked at a high temperature to produce a mar-resistant finish.

**Hardware:** Vandal-resistant flush nuts are provided. All metal is professionally finished with our baked-on polyester powder coating.

### INSTALLATION OPTIONS

The Series 99 Victorian Bike Rack is available in bolt-down or in-ground configurations.

**In-ground:** V99-BR01 installs directly into concrete to a depth of 12" (30.5cm).

**Bolt-down:** V99-BR02 fastens directly to the ground using 3/8" bolts (not provided). Vandal-resistant flush nuts are included for additional security.

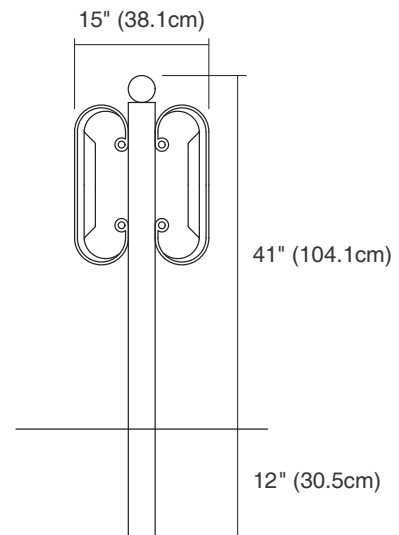
### METAL COLOURS

Make your choice from 26 standard paint colours. Or, for an additional charge, choose from one of over 160 custom paint colours. Standard colour chips and custom colour charts are available upon request.

### ACCESSORIES

To give your project that professional finish, may we suggest the addition of our Series 99 Victorian bench and Series 99 Victorian bollard. For a complete listing of our receptacles and other furnishings, please refer to the respective areas in our catalogue.

#### V99-BR01



#### V99-BR02

