



Series 90 Array Bench

GENERAL SPECIFICATIONS

Wood: Ipe hardwood, Resysta, and cedar options measure 2-1/2" x 1" (6.3cm x 2.5cm) with 1/4" (0.64cm) radius on edges and ends. Re-Plast measures 3" x 1" (7.6cm x 2.5cm). Edges are smooth sanded and wood finishes are sealed.

Metal: Mild steel, wheel-abraded to bare metal, then precisely fabricated to final shape. The metal is powder coated with polyester, electrostatically applied, and baked at a high temperature to produce a mar-resistant finish.

Hardware: Invisible stainless-steel fasteners attach slats securely.

OPTIONS

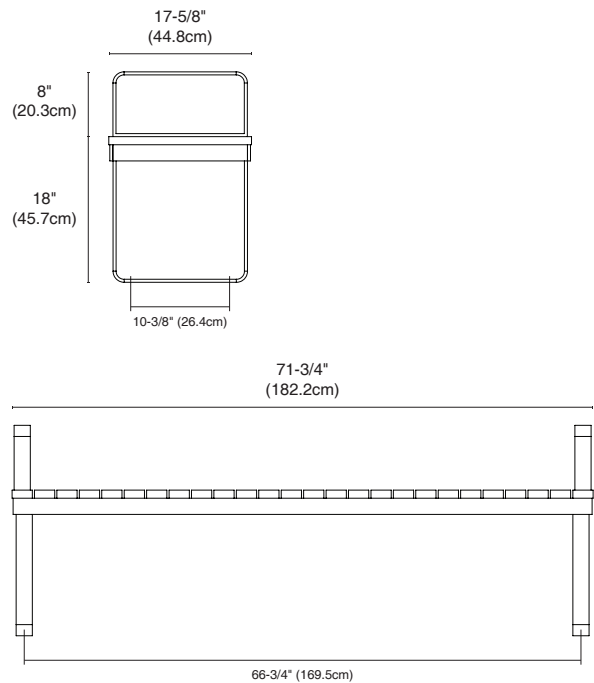
Wood: Resysta, Re-plast, western red cedar, or yellow cedar may be substituted for ipe at additional cost.

Metal Colours: Make your choice from 26 standard paint colours. Or, for an additional charge, choose from one of over 160 custom paint colours. Standard colour chips and custom colour charts are available upon request.

ACCESSORIES

To give your project that professional finish, may we suggest the addition of our Series 30 receptacles. For a complete listing of our receptacles and other furnishings, please refer to the respective areas in our catalogue.

A90-S53A



A90-S53

