

Series 59 Arcadian Chair, Wood



GENERAL SPECIFICATIONS

Wood: Ipe hardwood.

Metal: Mild steel, wheel-abraded to bare metal, then precisely fabricated to final shape. The metal is powder coated with polyester, electrostatically applied, and baked at a high temperature to produce a mar-resistant finish.

Hardware: An exclusive nut design and bolt-through construction create a single, solid unit. A special wrench for vandal-resistant hardware is provided with each bench. All hardware is professionally finished with our baked-on polyester powder coating.

OPTIONS

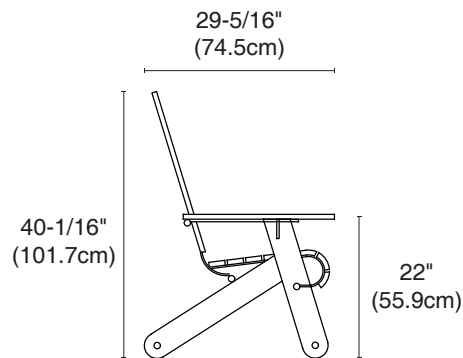
Wood: Yellow cedar or western red cedar may be substituted for ipe at an additional cost.

Metal Colours: Make your choice from 26 standard paint colours. Or, for an additional charge, choose from one of over 160 custom paint colours. Standard colour chips and custom colour charts are available upon request.

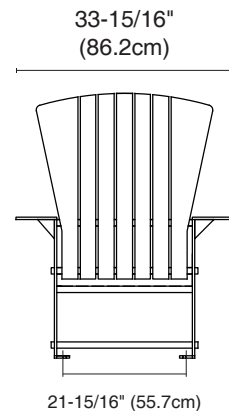
ACCESSORIES

Coordinate with the A59WT2417 Arcadian side table to complete the look.

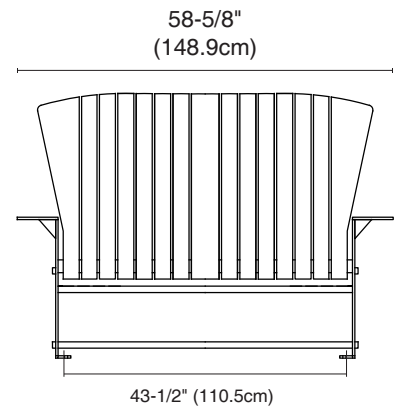
A59MVW-3S1/3S2



A59MVW3S1



A59MVW3S2



A59WT2417

