

Series 59

Arcadian Chair, Metal

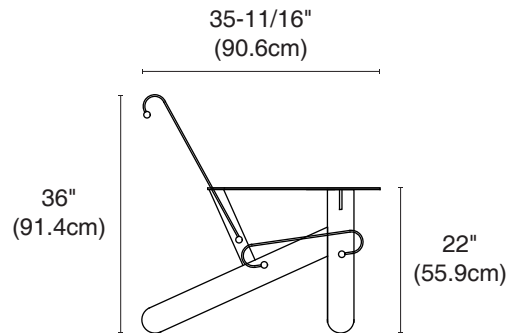
GENERAL SPECIFICATIONS

Metal: 1-1/4" x 1/4" (3.17cm x 0.64cm) mild steel, wheel-abraded to bare metal, then precisely fabricated to final shape. The metal is powder coated with polyester, electrostatically applied, and baked at a high temperature to produce a mar-resistant finish.

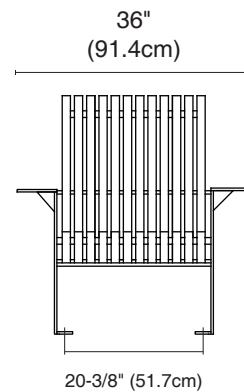
OPTIONS

Metal Colours: Make your choice from 26 standard paint colours. Or, for an additional charge, choose from one of over 160 custom paint colours. Standard colour chips and custom colour charts are available upon request.

A59M-3S1/3S2



A59M-3S1



A59M-3S2

