

Series 17 Mercury Bench

GENERAL SPECIFICATIONS

Metal: Mild steel, wheel-abraded to bare metal, then precisely fabricated to final shape. The metal is powder coated with zinc-rich primer that is electrostatically applied, then a top coat colour is applied and baked at a high temperature to produce a mar-resistant finish. Seats are perforated 13 gauge steel.

Hardware: All hardware is professionally finished with our baked-on polyester powder coating.

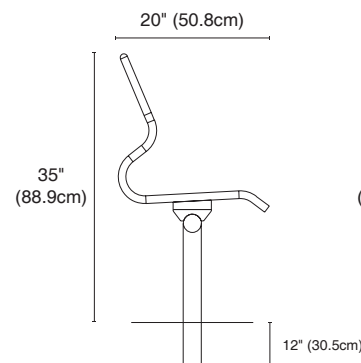
OPTIONS

Metal Colours: Make your choice from 26 standard paint colours. Or, for an additional charge, choose from one of over 160 custom paint colours. Standard colour chips and custom colour charts are available upon request.

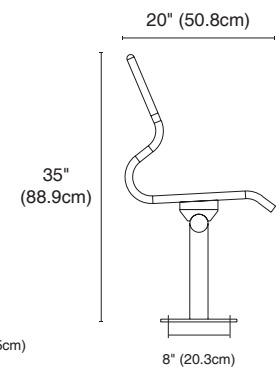
ACCESSORIES

To give your project that professional finish, may we suggest the addition of our Series 30 receptacles. For a complete listing of our receptacles and other furnishings, please refer to the respective areas in our catalogue.

M17-61



M17-62



M17-63

